

Zwischenflansch-

PN 10/16 DN 32 – 1200

AK322Z-AC

Absperrklappe aus Sphäroguss

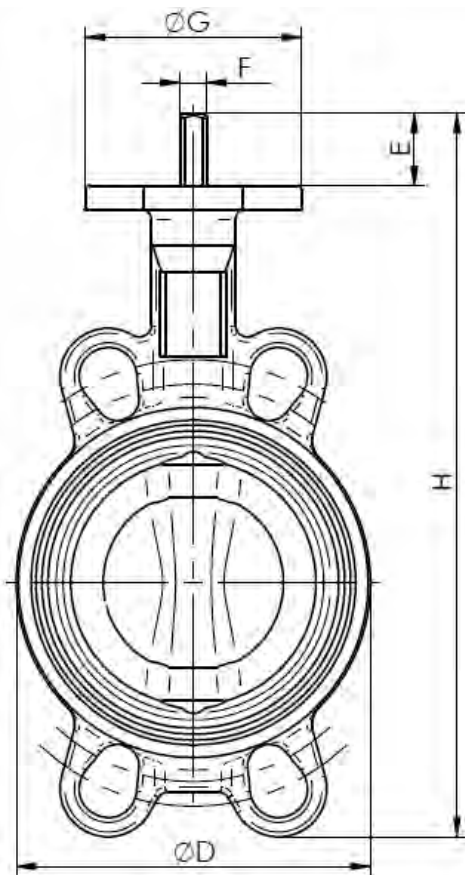
emmix WAFER

weich dichtend

angewandte Normen:

Scheibe: GGG-40

EN 558-1, EN 1092
EN 593, PED 97/23 EG



| DN | Baumaße (mm) | | | | | | | Gewicht freie Welle (kg) |
|------|--------------|------|-----|-----|-----|--------|-----|--------------------------|
| | BL GR-20 | D | E | F* | G | H | ISO | |
| 32 | 33 | 68 | 30 | 11 | 90 | 192,7 | F07 | 1,5 |
| 40 | 33 | 76 | 30 | 11 | 90 | 196,0 | F07 | 1,7 |
| 50 | 43 | 100 | 30 | 11 | 90 | 211,5 | F07 | 2,0 |
| 65 | 46 | 108 | 30 | 11 | 90 | 234,0 | F07 | 2,6 |
| 80 | 46 | 124 | 30 | 11 | 90 | 265,0 | F07 | 3,1 |
| 100 | 52 | 147 | 30 | 11 | 90 | 301,0 | F07 | 3,9 |
| 125 | 56 | 180 | 33 | 14 | 90 | 339,5 | F07 | 6,1 |
| 150 | 56 | 206 | 33 | 14 | 90 | 359,0 | F07 | 7,2 |
| 200 | 60 | 257 | 33 | 17 | 90 | 428,0 | F07 | 11,0 |
| 250 | 68 | 324 | 23 | 22 | 130 | 515,5 | F10 | 20,5 |
| 300 | 78 | 376 | 23 | 22 | 130 | 571,0 | F10 | 29,5 |
| 350 | 78 | 430 | 31 | 22 | 160 | 632,5 | F10 | 35,4 |
| 400 | 102 | 485 | 31 | 27 | 160 | 719,0 | F12 | 54,6 |
| 450 | 114 | 536 | 38 | 36 | 190 | 758,5 | F14 | 80,8 |
| 500 | 127 | 593 | 38 | 36 | 210 | 850,5 | F14 | 113,3 |
| 600 | 154 | 690 | 80 | 60 | 210 | 1014,0 | F16 | 170,5 |
| 700 | 165 | 830 | 106 | 65 | 300 | 1186,0 | F25 | 290,9 |
| 800 | 190 | 902 | 106 | 80 | 300 | 1301,0 | F25 | 363,3 |
| 900 | 203 | 1010 | 110 | 80 | 350 | 1415,0 | F25 | 497,0 |
| 1000 | 216 | 1116 | 110 | 80 | 350 | 1555,0 | F25 | 598,5 |
| 1200 | 254 | 1334 | 120 | 100 | 350 | 1813,0 | F30 | 931,5 |

* ab DN600: Welle mit Feder und Nut

| | | | | | | | |
|---|--|--|------------|---------------|--------------|---------------|---------------|
| 4 | | | Manschette | E* EPDM | N* NBR | V* VITON | S* SILIKON |
| | | | | -40°C + 110°C | -10°C + 90°C | -15°C + 210°C | -60°C + 200°C |
| 3 | | | Scheibe | EN-GJS-400-15 | (GGG-40) | | |
| 2 | | | Welle | AISI 420 | (1.4104) | | |
| 1 | | | Gehäuse | EN-GJS-400-15 | (GGG-40) | | (Epoxy) |

| Pos. | Menge | Einheit | Benennung | Norm – Kurzbezeichnung | Bemerkung |
|--------------------|-------|---------|--|------------------------|------------|
| Erstellt / Geprüft | | | Vorgang | | Änd.datum |
| Blatt | Rev. | | Benennung | | Ausg.datum |
| 1 | 1 | | AK322Z(DN)AC*010 AK322Z(DN)AC*016 | | 2013-01-30 |

Änderungen vorbehalten – Abbildung kann abweichen
 Subject to change - the image may vary

Zwischenflansch- PN 10/16 DN 32 - 1200

AK322Z-AC

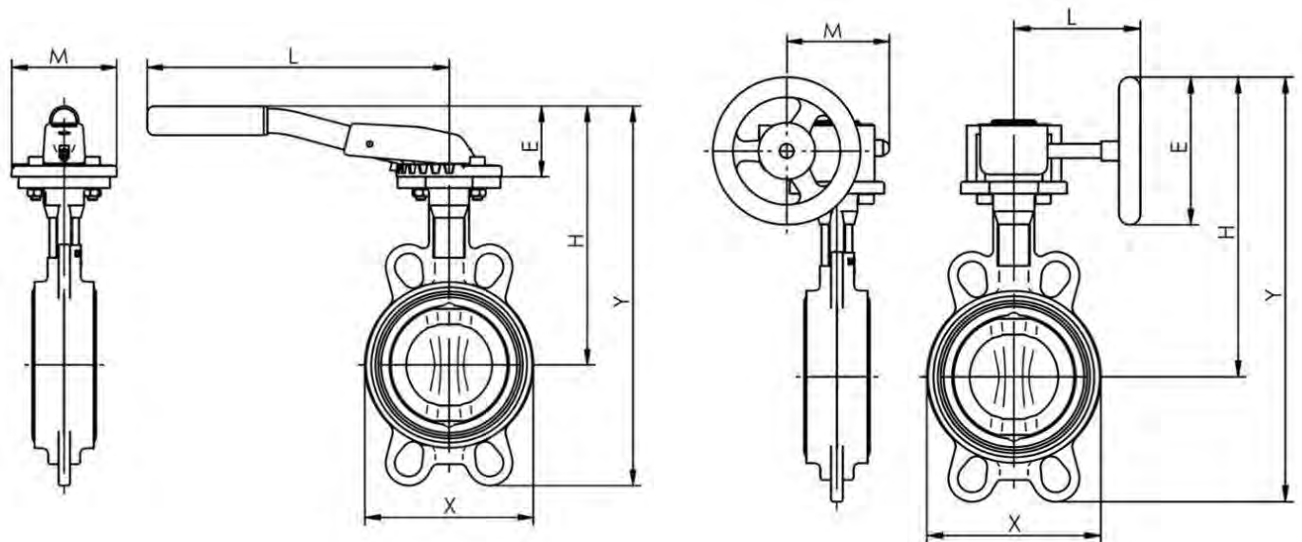
Absperrklappe aus Sphäroguss – WAFER

- **Anhang 1 -**

weich dichtend

Betätigungen

Scheibe: GGG-40



| DN | Absperrklappe mit Handhebel | | | | | | Absperrklappe mit Getriebe | | | | | |
|------|-----------------------------|-----|----|-----|-----|---------|----------------------------|-----|-----|------|------|---------|
| | M | L | E | H | Y | Gewicht | M | L | E | H | Y | Gewicht |
| 32 | 90 | 220 | 49 | 151 | 212 | 1,9 | 88,0 | 128 | 125 | 190 | 251 | 2,7 |
| 40 | 90 | 220 | 49 | 159 | 215 | 2,1 | 88,0 | 128 | 125 | 198 | 254 | 2,9 |
| 50 | 90 | 220 | 49 | 169 | 230 | 2,9 | 88,0 | 128 | 125 | 208 | 269 | 3,7 |
| 65 | 90 | 220 | 49 | 184 | 253 | 3,0 | 88,0 | 128 | 125 | 223 | 292 | 3,8 |
| 80 | 90 | 260 | 60 | 201 | 295 | 3,6 | 88,0 | 128 | 125 | 229 | 323 | 4,3 |
| 100 | 90 | 260 | 60 | 225 | 331 | 4,4 | 88,0 | 128 | 125 | 253 | 359 | 5,1 |
| 125 | 90 | 315 | 75 | 255 | 381 | 6,6 | 88,0 | 135 | 160 | 283 | 409 | 7,5 |
| 150 | 90 | 315 | 75 | 268 | 401 | 7,6 | 88,0 | 135 | 160 | 295 | 428 | 8,6 |
| 200 | 90 | 315 | 75 | 300 | 470 | 11,6 | 106,0 | 152 | 200 | 355 | 525 | 13,6 |
| 250 | | | | | | | 128,0 | 222 | 250 | 442 | 652 | 24,0 |
| 300 | | | | | | | 128,0 | 222 | 250 | 468 | 708 | 33,0 |
| 350 | | | | | | | 128,0 | 222 | 250 | 498 | 761 | 39,0 |
| 400 | | | | | | | 141,5 | 278 | 300 | 572 | 880 | 63,5 |
| 450 | | | | | | | 188,0 | 321 | 400 | 630 | 970 | 99,2 |
| 500 | | | | | | | 188,0 | 321 | 400 | 682 | 1062 | 113,2 |
| 600 | | | | | | | 277,5 | 408 | 500 | 799 | 1239 | 205,0 |
| 700 | | | | | | | 277,5 | 408 | 500 | 895 | 1385 | 325,0 |
| 800 | | | | | | | 277,5 | 456 | 600 | 985 | 1550 | 404,0 |
| 900 | | | | | | | 360,0 | 510 | 700 | 1108 | 1718 | 557,0 |
| 1000 | | | | | | | 360,0 | 510 | 700 | 1183 | 1858 | 659,0 |
| 1200 | | | | | | | 360,0 | 579 | 700 | 1288 | 2106 | 998,0 |

Änderungen vorbehalten – Abbildung kann abweichen
 Subject to change – the image may vary

| | | | | | |
|--------------------|------|--|--|------------|--|
| Erstellt / Geprüft | | Vorgang | | Änd.datum | |
| Blatt | Rev. | Benennung | | Ausg.datum | |
| 2 | 1 | AK322Z(DN)AC*010 AK322Z(DN)AC*016 | | 2013-01-30 | |